

1 2 3 4 5 6 7

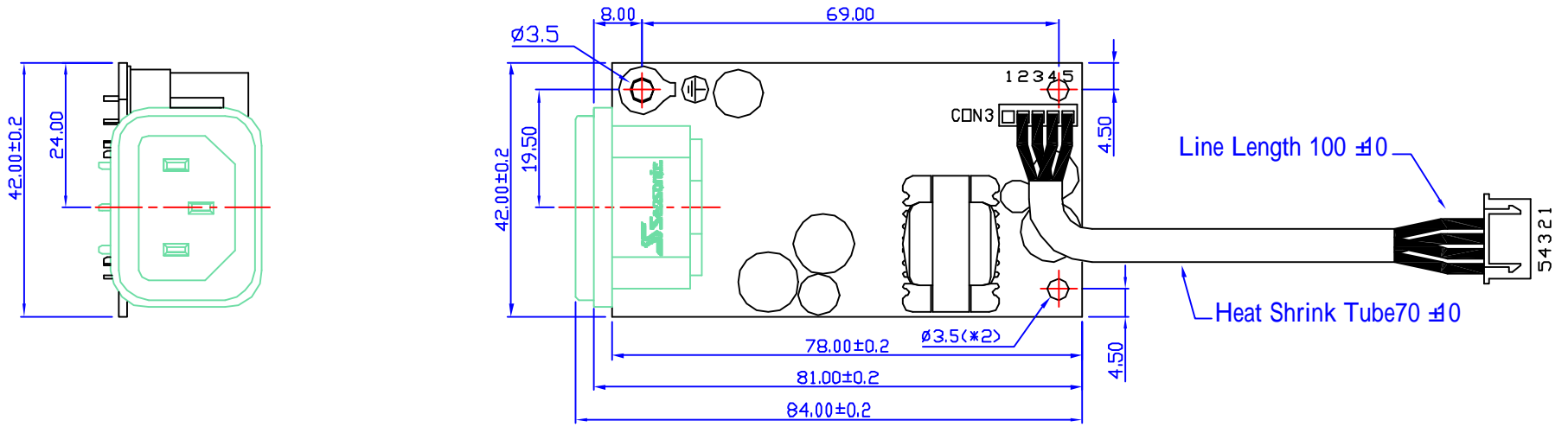
A

B

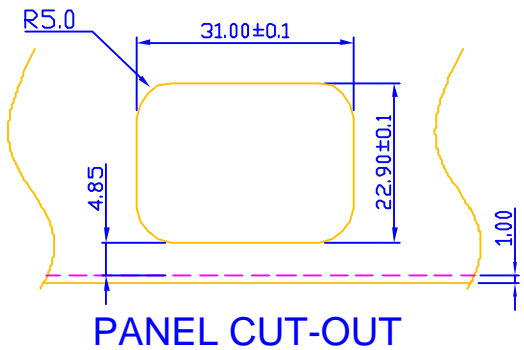
C

D

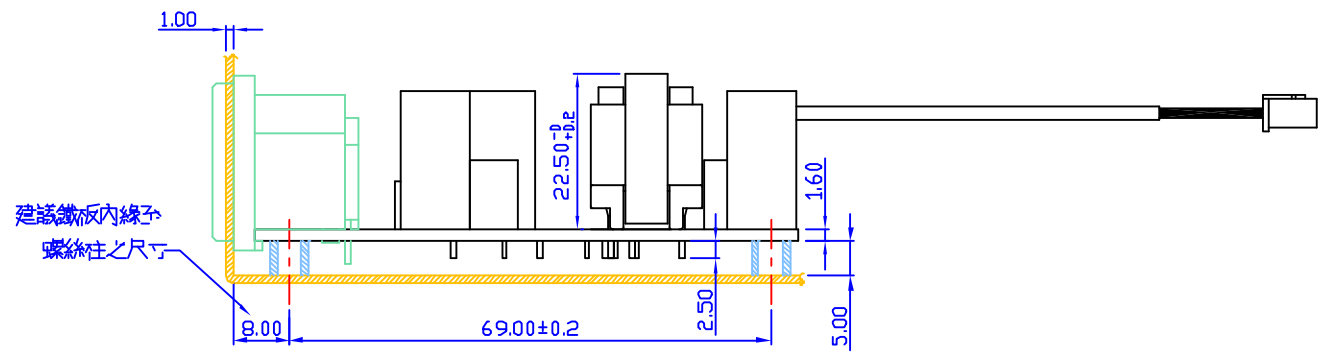
E



建議開孔尺寸31.0mmX22.9mm



PANEL CUT-OUT



建議鐵板內線子  
螺絲柱之尺寸

DESIGN CHANGE

COMMON TOLERANCE TABLE

**Seasonic** SEA SONIC ELECTRONICS Co., Ltd.

ITEM	REASON OF CHANGE	DESCRIPTION

RANGE	<<A>>	<<B>>	<<C>>	<<D>>
< 8	±0.05	±0.1	±0.2	±0.4
8~25	±0.08	±0.16	±0.3	±0.5
25~80	±0.12	±0.25	±0.5	±1.0
80~250	±0.25	±0.4	±0.8	±1.5
250~800	±0.5	±0.8	±1.5	±3.0
800~2500	±1.0	±1.5	±3.0	±6.0
ANGULAR	±0.15°	±0.3°	±0.5°	±0.8°

FILE NO	010(Seasonic)機構圖	REV. NO	A0	DRAW BY	Tony
PART NO		SCALE	1:1	APPROVE BY	
PART NAME	PCB 78X42	UNITS	M/M	DATE	05/07/2002
MODEL NO	SSF-010(cable)	MATERIAL		PROJECTION	
PATH	D:\Tony\Acad\OFAN\SSF010(SC-8R)\Seasonic-socket				